



METRIX
A U D I O

MA-4BT Universal Amplified Speaker System

Installation Manual

The wireless operation of music devices can vary slightly from unit to unit. The operating instructions in this manual are a general outline and will be correct for MOST wireless music players. The ACTUAL operation of your device may vary slightly. Please have a good understanding of how your wireless music device communicates with this system BEFORE you ride!

Congratulations and thank you for your purchase of this Metrix Audio kit! Since positive word of mouth is the best way to grow our business, we want your new system to work as well as it was designed to. If you have any questions or concerns, we are here to help. Please email info@metrixaudio.com, or call us during regular business hours (EST) at (705)-719-6361. If you still need help, then please consider a professional installation by your retail dealer.

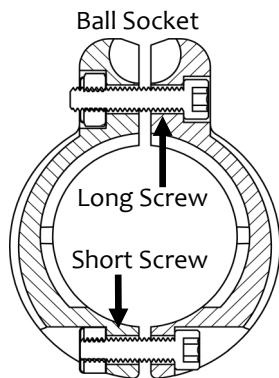
Please Note: This system works on machines with a 12 Volt negative ground charging system and battery, or 12 Volt battery only.

MA-4BT Installation Instructions

Step #1: The main parts of the kit are: speaker cabinets, clamps/collars, “control box”, threaded ball for control box, and wire harness . Please identify before proceeding.

Step#2: Without attaching anything yet, plan where each component will go on the machine. For best sound, assuming this kit is going on a motorcycle, the speakers should be placed even distances from the center of the handlebars and aimed directly at the riders ears. Speakers mounted behind a windshield will sound better and be louder for the rider. Mount the speakers to crash bars only as a “last resort”. The control box can be mounted anywhere on the bars, but careful consideration must be given to the operator safely adjusting the control buttons while the machine is still or in motion.

Step#3: Using the supplied clamps: The kit comes with “collars” that adapt the handlebar clamps to fit 7/8”, 1”, or 1.25” diameters and only fit one way. As shown below, the screw that must be used closest to the ball socket is the longer of the 2 supplied screws. Place the clamp halves over the bars, and get the nuts started on the screws.



If not already installed, screw the “threaded balls” into the back of the speakers and the location on the main control box that works best for you. NOTE: Your kit comes with 1” threaded “standoffs” that can give more options for mounting. Using “BLUE” thread lock material will help keep things secure.

Once you have the screws on the clamps started, and the speakers or control box sitting how you like it, tighten the long screw closest to the ball socket FIRST. This will secure the ball to the socket best. Once the top (longer) screw is tight, tighten the shorter screw at the bottom of the clamp. This will properly tighten the clamps to your bars.

If the supplied clamps will not work for your application, the threaded balls on the speakers unscrew, exposing a standard 1/4-20 thread pattern which allows the use of Ram® Mounting systems or other custom mounting. IMPORTANT: The thread length going into control box must not exceed 1/4” (7mm). The thread length going into speaker cabinets must not exceed 3/4” (20mm)

Step#4: On the main wire harness, you will see a 12 pin connector on one end which gets plugged into the main control box. You will see 2 connectors that mate to the plugs on the speakers. Plug one into each speaker. **Note:** In most cases, the supplied wires are long enough. If you need to extend the speaker wires, with power to the unit OFF, cut the main harness side not the speaker side. When re-attaching the wires please pay close attention to the wire colors or poor sound and potential damage may occur. Never use “butt connectors” or “crimps”. Solder and heat shrink tube is required.

Step#5: The orange wire is a “turn on lead” that tells the control box to turn on or off with the “power on/off” of the machine. Using your machine’s owners manual, locate a switched power source such as an ignition switch, headlight switch or a switched power location in the fuse panel and attach the orange wire to this. The orange wire must see switched positive 12 Volt DC for the system to operate. If the machine does not have a switched power source, the orange wire can be interrupted by a 5 amp inline toggle switch (not supplied), controlling a “constant” 12 Volt DC power source. Please ensure good connections to avoid unnecessary non-warranty claims.

Step#6: Route the positive (red) and negative (black) wires towards the machines battery. Working from the control box towards the battery, cable tie these 2 wires to the machine. Attach the red wire to the positive connector on your battery. Attach the black wire to the ground connector on your battery. Please ensure good connections to avoid unnecessary non-warranty claims.

IMPORTANT: Make sure the installation of any components or wires does not impede the steering or operation of the machine! Failure to do so can cause an accident resulting in serious injury or death!

Your system is now ready to test. To get started, turn any bass boosts, loudness contours or volume limiters on your audio device OFF! Put the volume of your audio device to one “click” below maximum. **Note:** The overall volume and performance of this system heavily relies on the quality of the music files the and the quality of the audio device used to provide the music.

Pairing your Bluetooth® wireless technology device to the control box: When the MA-4BT sees power, it will try and pair with a device for up to 2 minutes as shown by the flashing Bluetooth® logo. Go into your audio devices settings menu, and accept the pairing to the Metrix Audio MA4BT system. When paired, the Bluetooth® logo will stay on solid blue. If nothing is paired, after 2 minutes, the Bluetooth® logo will go out. The unit must be turned off, and then back on to resume pairing mode. **Please Note:** Depending on your music device, when it first pairs to MA4-BT and starts to play, the system may sound like a CD is skipping for a few seconds. **THIS IS NORMAL** and is your audio device getting its wireless communication “in sync” with the MA4-BT.

With everything working, taking a few seconds to make sure the speakers are pointing directly at the rider. This can radically improve the sound and clarity!

Starting at the speakers and then the control box, secure all wires to the machine. Work your way back to the battery location making sure any slack is taken up without impeding any steering or other controls. Avoid having any cables too close to extreme heat areas. In most cases, the supplied power (red) and ground (black) wires are plenty long. If you have extra wire, we suggest bundling any extra and securing with a zip tie.

Control Box Functions

Audio Input: MA4-BT accepts audio in by 2 different methods, one being via Bluetooth® wireless technology, the other being “line level input” via the female mini jack wire on the control box. When the control box is playing via line in, “Mode” is illuminated. When the control box is playing via Bluetooth®, its blue logo is illuminated. You can have a wired line in device and Bluetooth® working at the same time but only one device can be heard depending on what the Mode button is set to.

Volume +/- buttons: Pushing the “Volume +” increases the volume of the system, and “Volume -” reduces the volume. The volume buttons are active in both Bluetooth® and line in modes. **Please Note:** If you hear an audible “beep” through the system when you are pushing the Volume + button, this indicates you have reached the maximum volume of MA4-BT. You “may” be able to get additional volume by adjusting the volume level of your music playback device.

Track+ / - buttons: When in Bluetooth® mode (only), these buttons allow you to skip tracks forward or backwards remotely on your paired music player. Depending on your music device, you will have to figure out how to go back to the start of the song your listening to vs the start of the last song you listened to. **In most cases** pushing the “track -” once will take you back to the start of the song your listening to, and pushing it twice within a second will take you to the start of the previous song you listened to.

Play/Pause Button: When in Bluetooth® mode (only), this button allows you to pause (mute) music, and restart remotely on your paired music player.

“Folders” on your music device: If you play music from within a file folder on your music device, MA4-BT can only play music from within that folder. **MA4-BT cannot automatically “skip” from folder to folder in your music devices file system.**

Final Audio Adjustments:

How your system sounds sitting still will be **RADICALLY** different from how it sounds “at speed”. Your music playback device may have equalizers or other audio adjustments built in you can test till you find the one that works best for you. The best way to make your system sound good is to use **GOOD QUALITY** music files. “Borrowed” music from most free sharing sites will typically play quieter and sound the worst.

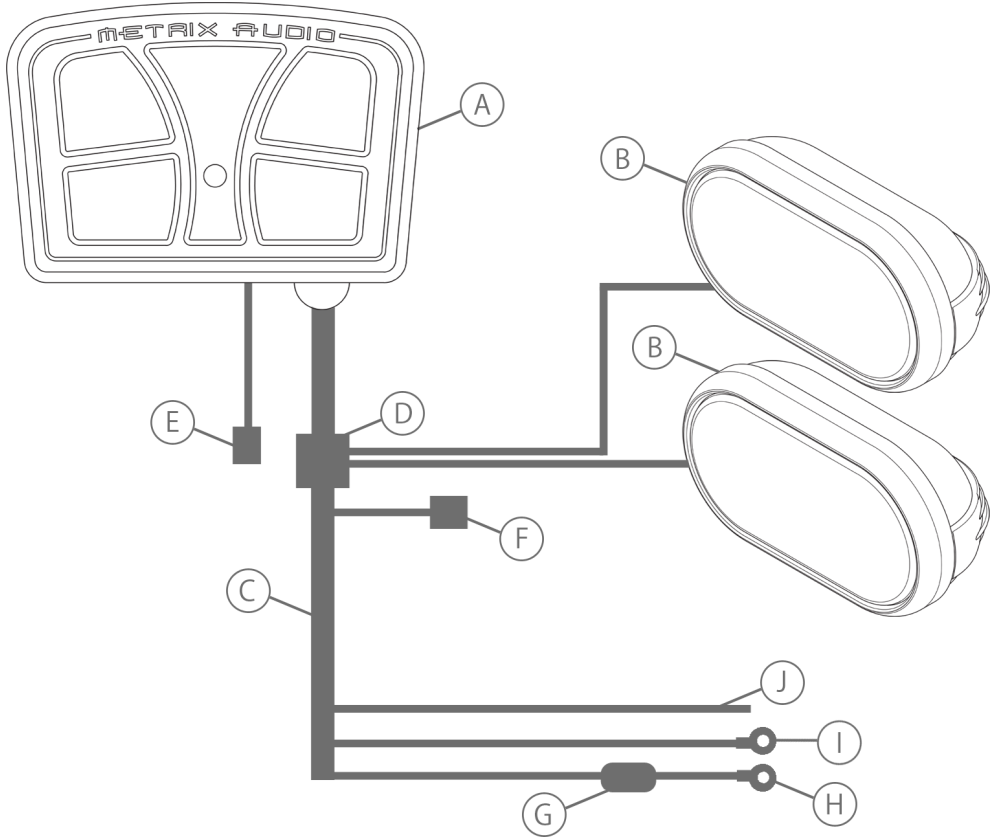
Adding Additional Amplifiers To Your System:

You will see a 4 pin blue plug attached to the main wire harness. This can be used to send a full range audio output to “drive” the input of any amplifier that has “hi level input”. This gives the ultimate flexibility as you can continue to have the supplied speakers be powered by the MA4-BT main unit, and then have an amplifier power other speakers such as saddlebag lid speakers or even subwoofers.

DO NOT WIRE ADDITIONAL SPEAKERS DIRECTLY TO THIS AUDIO OUTPUT!

Wiring Speakers Directly To This Plug Will Damage The MA4-BT Which Will Not Be Covered By Warranty

System Flow Chart



- A) Main Control Unit
- B) Speakers
- C) Main Wire Harness
- D) 12 Pin Harness Plug
- E) 1/8" (3.5mm) Auxiliary Line Level Input
- F) Hi Level Audio Output for Adding Amplifiers
- G) 5A mini AGU fuse holder
- H) Main Power Wire (Red)
- I) Main Ground Wire (Black)
- J) Remote Turn On Wire (Orange)

Warranty Information:

Metrix Audio's MA-4BT is warranted for a period of 12 months from the original purchase date. The warranty applies to the original (retail) owner of the system only. Proof of purchase is required for all warranty claims. Please visit the warranty section of our website and fill out the form, or email or phone us. Products found to be defective during the warranty period will be replaced (with a product deemed to be equivalent) at Metrix Audio's sole discretion. Metrix Audio and Hogtunes Inc are wholly owned subsidiaries of Powersports Audio Inc., Barrie, Ontario, Canada.

USA Tel: (608) 554-7631

Canada Tel: (705)-719-6361.

email info@metrixaudio.com

What Is Not Covered:

- 1) Any expense related to the removal or re-installation of this system.
- 2) Warranty to products with missing or defaced serial numbers.
- 3) Damage due to improper wiring
- 4) Repairs of any kind performed by anyone other than Metrix Audio.
- 5) Subsequent damage to any other components.
- 6) Any product purchased from a non-authorized Metrix Audio dealer.
- 7) Damage from an accident or collision.
- 8) Damage from any custom mounting.
- 9) Damage from obvious submersion in water or any other liquid.



The Bluetooth® word mark and logos are registered trademarks owned by Bluetooth SIG, Inc. and any use of such marks by Hogtunes Inc is under license. Other trademarks and trade names are those of their respective owners.



Any audio system can be a distraction to the rider and/or passenger. Please use caution when playing your stereo, especially in traffic.